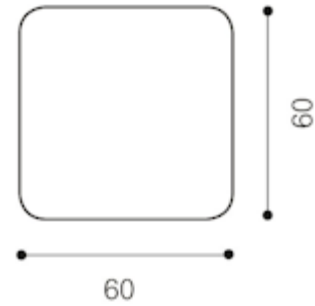


**Technical data sheet 736K**

Specification Standing table 60x60 cm, four legged

Dimensions in mm

Total:	H:	1085
	W:	600



Packaging data	Weight:	kg	14,5
	Volume:	m³	0,64

**Basic equipment**

**Benefit**

Table top	Squared 60 x 60 cm. MDF, 25 mm surface HPL, black.	
Table edge	ABS, chamfer edge. Same colour as table top surface.	
Base/Metal parts	Aluminium casting, 4-star, powder coated black. Vertical, cylindrical tubular steel Ø 50 x 1.5 mm with steel support plate.	High level of stability, longevity.
Glides	Hard glides for soft floors.	High stability.
Materials	All materials are segregated and recyclable.	Environmentally friendly, help to protect resources.
Certifications	Quality management system DIN EN ISO 9001:2008, VO (EG) No. 1221/2009 (EMAS), Environmental management system DIN EN ISO 14001:2009, OHSAS, EcoVadis gold, Commitment to sustainability. Blue Angel.	High-quality product.
Warranty and Return	10 years warranty. Complete return and recycling guarantee.	Exchange of parts, free of charge within the guaranteed period.

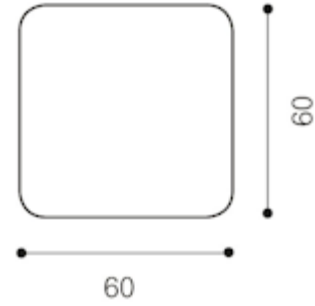
Disassembly instructions are available upon request for any interstuhl product

**Technical data sheet 736K**

Specification Standing table 60x60 cm, four legged

Dimensions in mm

Total:	H:	1085
	W:	600



Packaging data	Weight:	kg	14,5
	Volume:	m³	0,64

Options		Benefit
Top surface	HPL white, wood veneer in oak or American walnut.	Individual design.
Metal parts/Tubular steel	Aluminium, casting powder coated brilliant silver or white.	Design options.
Flip-top	Flip-top table (to nest 10 tables of about 1.76 m).	Saves space, as they can be nested.
Glides	Soft glides for hard floors.	High stability.

Disassembly instructions are available upon request for any interstuhl product